



Foam-Control EPS

NAILSTRIP

WALL APPLICATIONS CONSTRUCTION MANUAL

CONTROL,
NOT COMPROMISE.®

Note: Information deemed reliable at time of printing.
Please visit www.foam-control.com for the latest information.



EPS

NAILSTRIP WALL APPLICATIONS CONSTRUCTION MANUAL

When you choose Foam-Control EPS Nailstrip, you're collaborating with a team of experts who work with you every step of the way. We're here to answer your questions, solve your problems, and do everything we can to make sure your project proceeds smoothly—and ends successfully.

Foam-Control EPS products are manufactured by a network of licensed manufacturers throughout North America and the world. Foam-Control EPS Nailstrip licensed facilities adhere to strict, consistent standards to ensure high-quality.

This network allows us to offer architects, designers and builders the best of both worlds: the resources of the country's largest provider of Nailstrip products and systems, and the superior attention and customer service of a local supplier.

Note: Information deemed reliable at time of printing. Please visit www.foam-control.com for the latest information. January 2011.

Table of Contents

Foam-Control Nailstrip

Details

General

Foam-Control Nailstrip	FC-300
General Notes	FC-300a
Vertical Installation	FC-301
Horizontal Installation	FC-301a
Optional Electrical Chases	FC-302
Electrical Box	FC-303

Interior

Interior Top of Wall	FC-402
Interior Top of Wall	FC-402a
Interior Bottom of Wall	FC-403
Interior Opening Header	FC-404
Interior Opening Sill	FC-405
Interior Opening Jamb	FC-406
Interior Outside Corner	FC-407
Interior Inside Corner	FC-408

Exterior

Exterior Top of Wall	FC-502
Exterior Top of Wall	FC-502a
Exterior Bottom of Wall	FC-503
Exterior Bottom of Wall	FC-503a
Exterior Opening Header	FC-504
Exterior Opening Sill	FC-505
Exterior Opening Jamb	FC-506
Exterior Outside Corner	FC-507
Exterior Outside Corner	FC-507a
Exterior Inside Corner	FC-508
Exterior Inside Corner	FC-508a

General Recommendations

Foam-Control Nailstrip Sizes

Foam-Control Nailstrip is made in a variety of sizes, most commonly 4' x 8'. Consult the local Foam-Control Nailstrip Manufacturer for sizes, thicknesses, and fabrication services available in your area.

Environmentally Safe

The core material for Foam-Control Nailstrip, Foam-Control EPS, contains no CFCs, HCFCs, HFCs or formaldehyde and is recyclable. Foam-Control EPS is inert, non-nutritive and highly stable. Your Foam-Control Nailstrip Manufacturer encourages you to support recycling and energy conservation.

Warranty

Foam-Control Nailstrip Manufacturers provide a 20-year warranty covering thermal performance. Contact the local Foam-Control Nailstrip manufacturer for details regarding the warranty program.

Handling - Storage - Protection

Foam-Control Nailstrip should be stored in a fully supported manner and protected from weather. Cover stored Foam-Control Nailstrip with tarps or similar protective wraps. Exposure 1 OSB facings are used in Foam-Control Nailstrip manufacture; however, exterior wall installations must be covered by a code recognized weather resistive barrier applied at the time of installation. Apply wall cladding when immediately practical.

EPS contains a flame retardant additive. However, the EPS should be considered combustible and used with code approved thermal barriers and should not be stored near any open flame or source of ignition. Do not install or use EPS with coal-tar pitch or highly solvent extended mastics, adhesives or sealants. Consult the local Foam-Control Nailstrip Manufacturer for suggested adhesives, sealants, and assembly specifications not otherwise detailed in this manual.

General Recommendations - cont'd

Vapor Retarders

Foam-Control Nailstrip may require the use of a vapor retarder. Consult with a local design professional for a recommendation.

Special Treatments

Foam-Control Nailstrip can be produced with Foam-Control EPS with Perform Guard that protects the core insulation from potential termite damage. Please contact your local Foam-Control Nailstrip manufacturer.

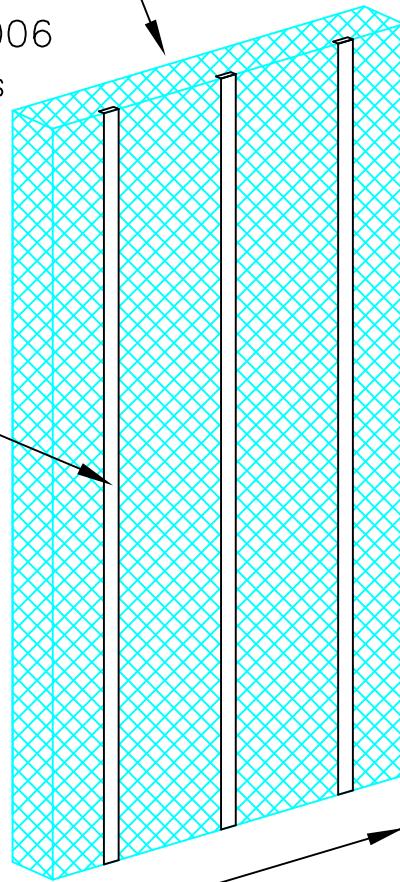


Disclaimer

Details, illustrations, pictures and guidelines provided herein give basic information and illustrate examples of Foam-Control Nailstrip installation. The basic information provided herein is not intended to cover every potential use and application of Foam-Control Nailstrip. It is the responsibility of the installer to become familiar with his specific application and determine if Foam-Control Nailstrip is suitable. By commencing work, the installer accepts full responsibility for the proper and safe installation of Foam-Control Nailstrip at his job site. Adding an insulation component may change the behavior of a wall assembly with regard to air movement, water vapor transmittance, bulk water management and heating, cooling and ventilation systems. It is the responsibility of the owner or the owner's representative to design the insulated wall assembly to perform in a manner ensuring function and durability. Furthermore, it is the sole responsibility of the installer to meet all federal and local regulatory requirements for job site safety for himself, his workers and any others on the job site while in the execution of all phases of Foam-Control Nailstrip installation.

Foam-Control EPS
ASTM C578 Type I
ICC-ES ESR-1006
Thickness Varies

2" Wide Strips of 7/16"
Oriented Strand Board
(OSB) DOC-PS2
EXPOSURE 1
16" o.c. Typical



8', 9', 10'
Length Typical

4' Width Typical

ISOMETRIC

SCALE: NTS

Updated 1-21-11

Foam-Control® Nailstrip

TITLE:
Foam-Control Nailstrip

NO.
FC-300

General Notes

1. Provide adequate support for Foam-Control Nailstrip during storage.
2. Store Foam-Control Nailstrip flat and protected from weather.
3. Exterior applications:
Foam-Control Nailstrip must be covered with code recognized weather resistive barrier at time of installation. Apply wall covering to Foam-Control Nailstrip following wall covering manufacturer recommendations. Fasten trim to Foam-Control Nailstrip or wood blocking as required.
4. Interior applications:
Foam-Control Nailstrip must be covered with code approved thermal barrier. Fasten thermal barrier to Foam-Control Nailstrip or wood blocking as required.
5. Attachment of Foam-Control Nailstrip shall be with screws into structural members/substrate.
6. Each project shall be engineered as required.
7. Details provided are illustrative examples of Foam-Control Nailstrip installation and not intended to cover every potential use and application.

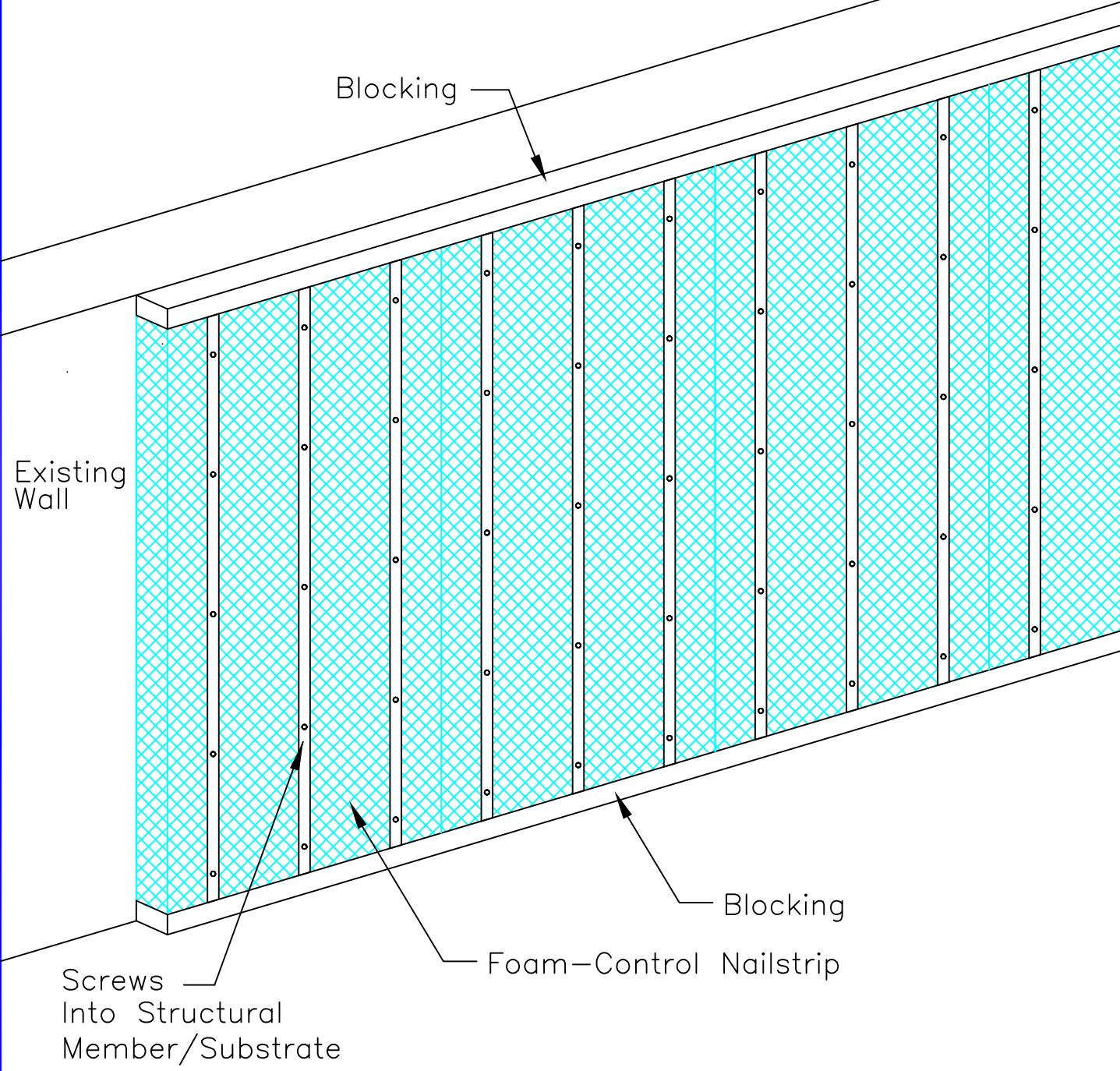
Updated 1-21-11

Foam-Control® Nailstrip

TITLE:
GENERAL NOTES

NO.
FC-300a

Note: Screw Pattern Illustrated Is Representative. Each Project Shall Be Engineered As Required.



ISOMETRIC

SCALE: NTS

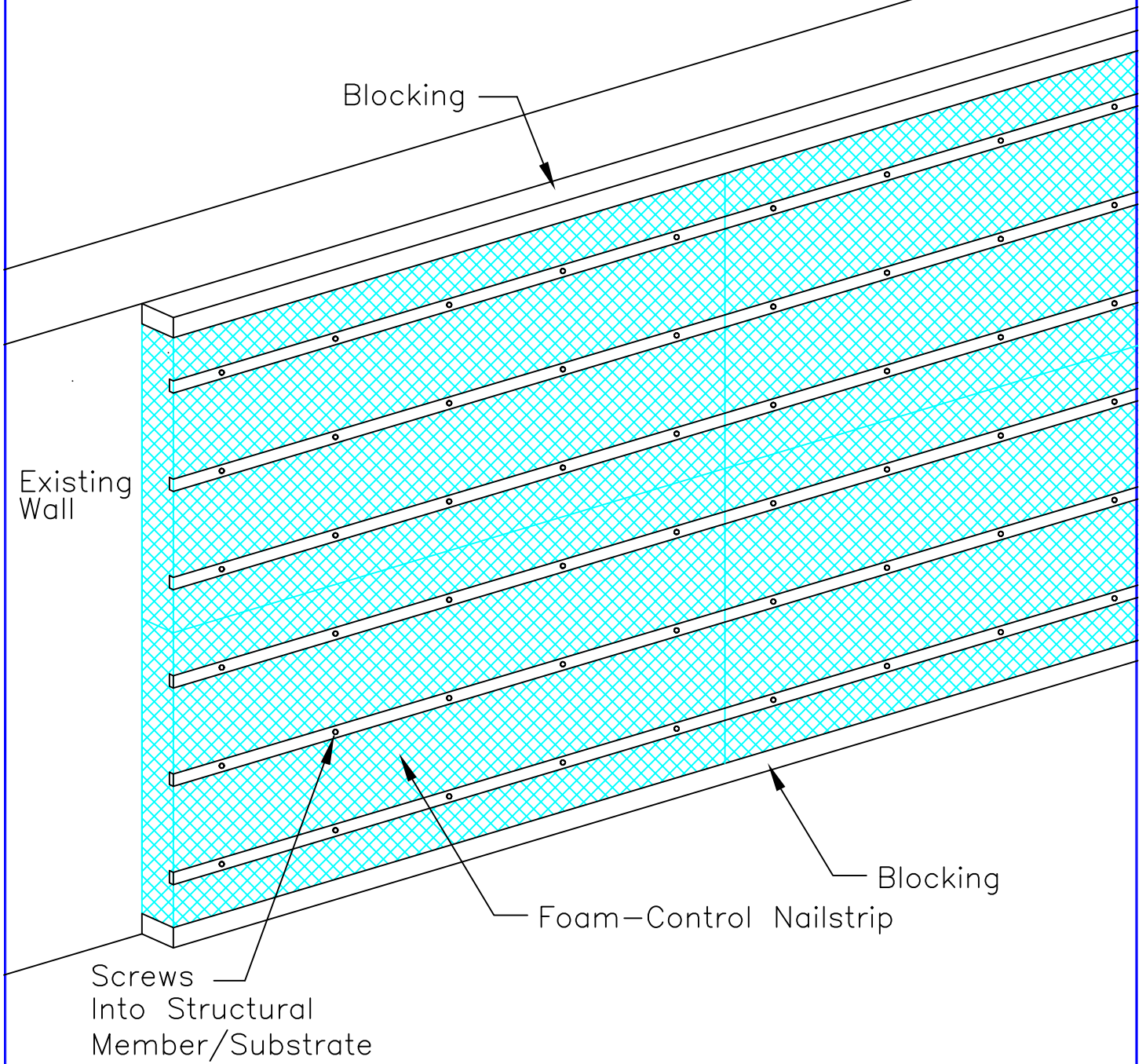
Updated 1-21-11

Foam-Control® Nailstrip

TITLE:
VERTICAL INSTALLATION

NO.
FC-301

Note: Screw Pattern Illustrated Is Representative. Each Project Shall Be Engineered As Required.



ISOMETRIC

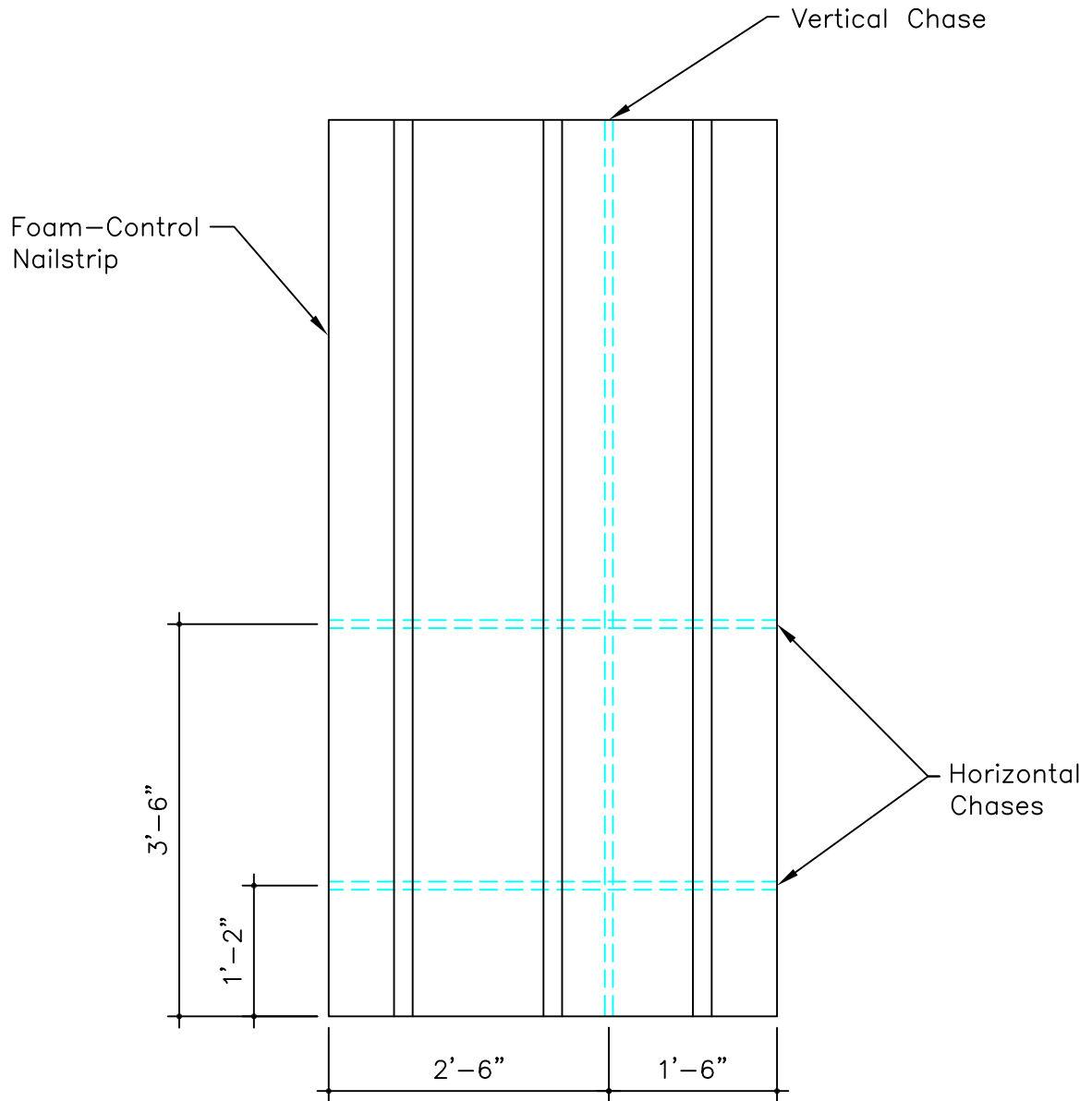
SCALE: NTS

Updated 1-21-11

Foam-Control® Nailstrip

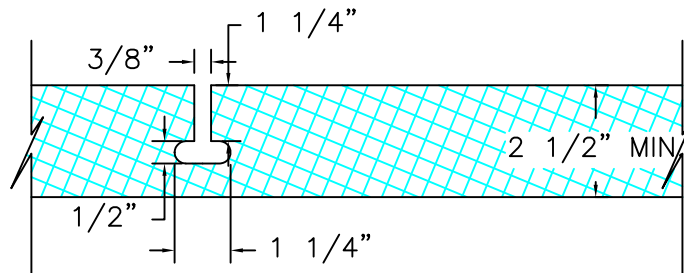
TITLE:
HORIZONTAL INSTALLATION

NO.
FC-301a



ELEVATION

SCALE: NTS



SECTION

SCALE: NTS

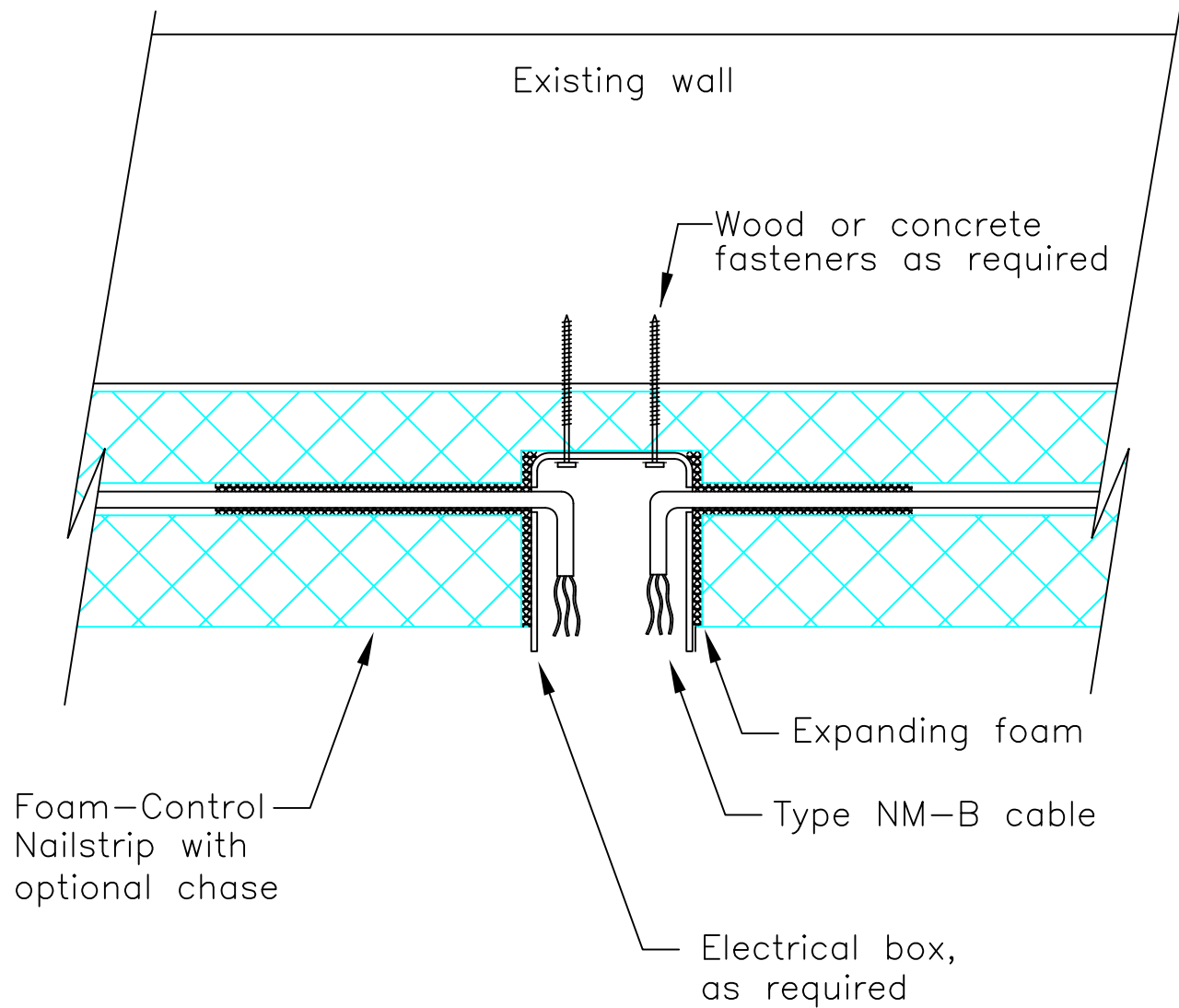
Updated 1-21-11

Foam-Control® Nailstrip

TITLE: OPTIONAL ELECTRICAL CHASES	NO. FC-302
--------------------------------------	---------------

Interior: Cover Foam-Control Nailstrip with Gypsum Board

Exterior: Cover Foam-Control Nailstrip with Weather Resistive Barrier and Wall Cladding



SECTION

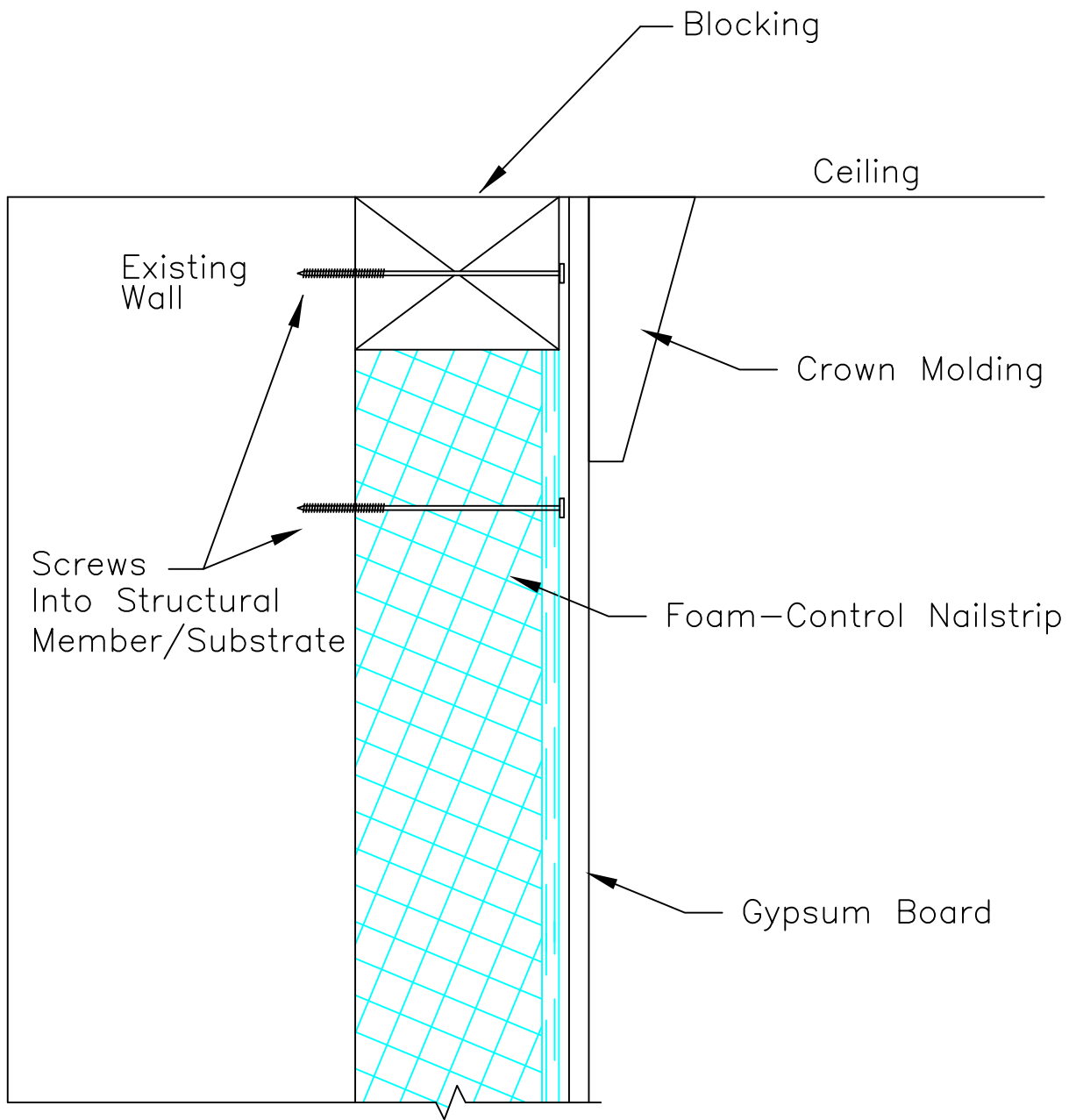
SCALE: NTS

Updated 1-21-11

Foam-Control® Nailstrip

TITLE:
ELECTRICAL BOX

NO.
FC-303



SECTION

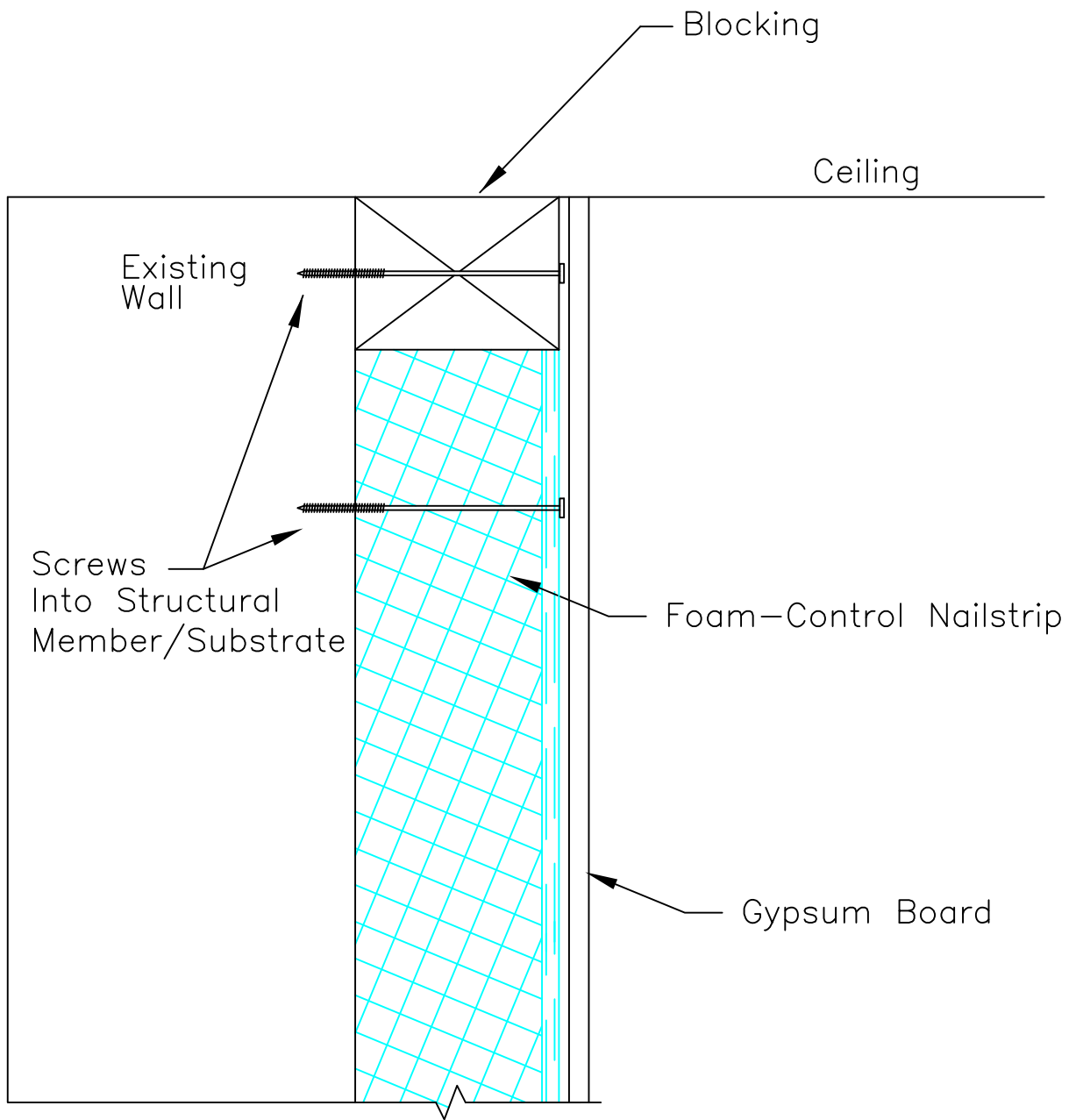
SCALE: NTS

Updated 1-21-11

Foam-Control® Nailstrip

TITLE:
INTERIOR TOP OF WALL

NO.
FC-402



SECTION

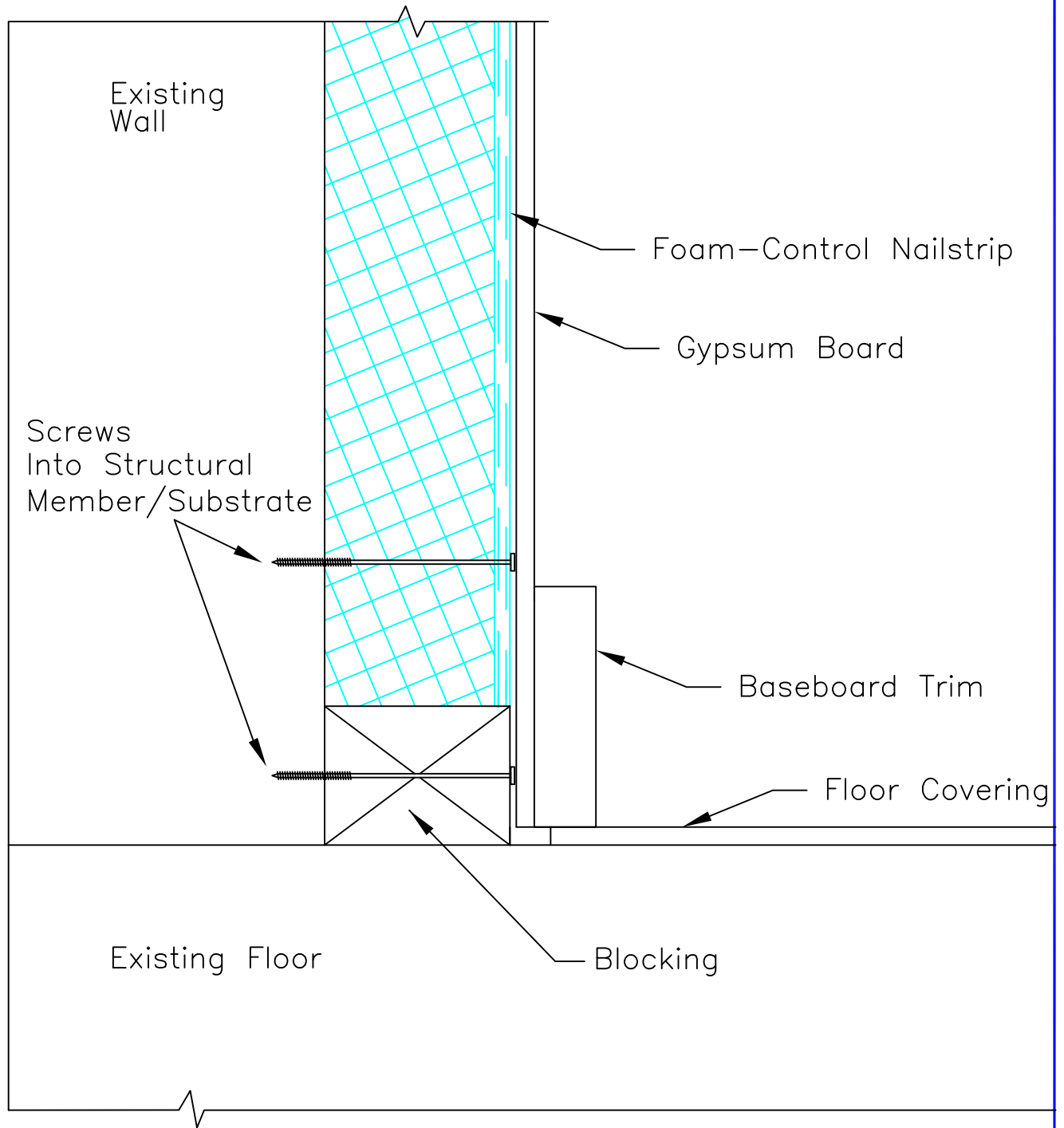
SCALE: NTS

Updated 1-21-11

Foam-Control® Nailstrip

TITLE:
INTERIOR TOP OF WALL

NO.
FC-402a



SECTION

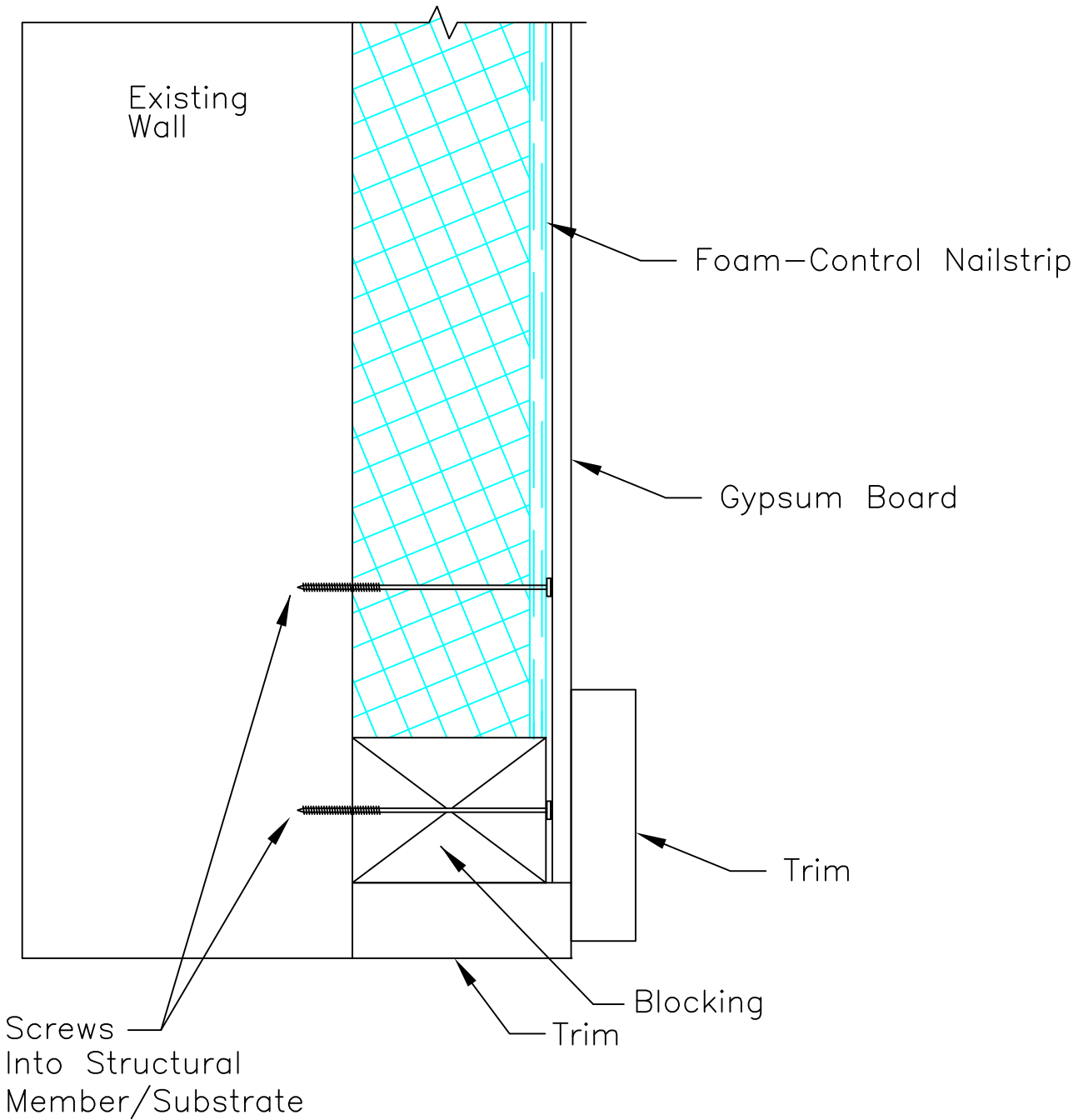
SCALE: NTS

Updated 1-21-11

Foam-Control® Nailstrip

TITLE:
INTERIOR BOTTOM OF WALL

NO.
FC-403



SECTION

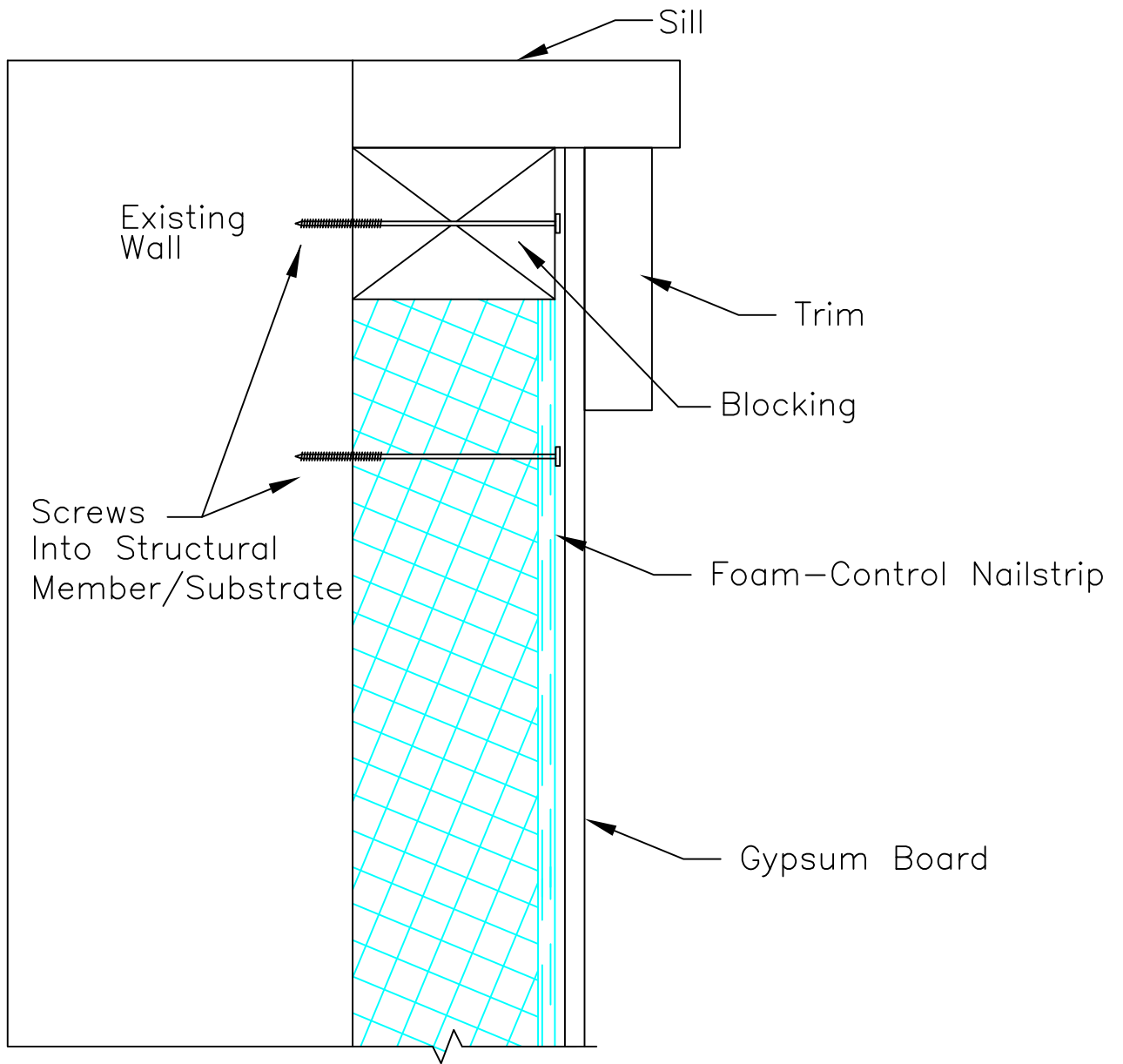
SCALE: NTS

Updated 1-21-11

Foam-Control® Nailstrip

TITLE:
INTERIOR OPENING HEADER

NO.
FC-404



SECTION

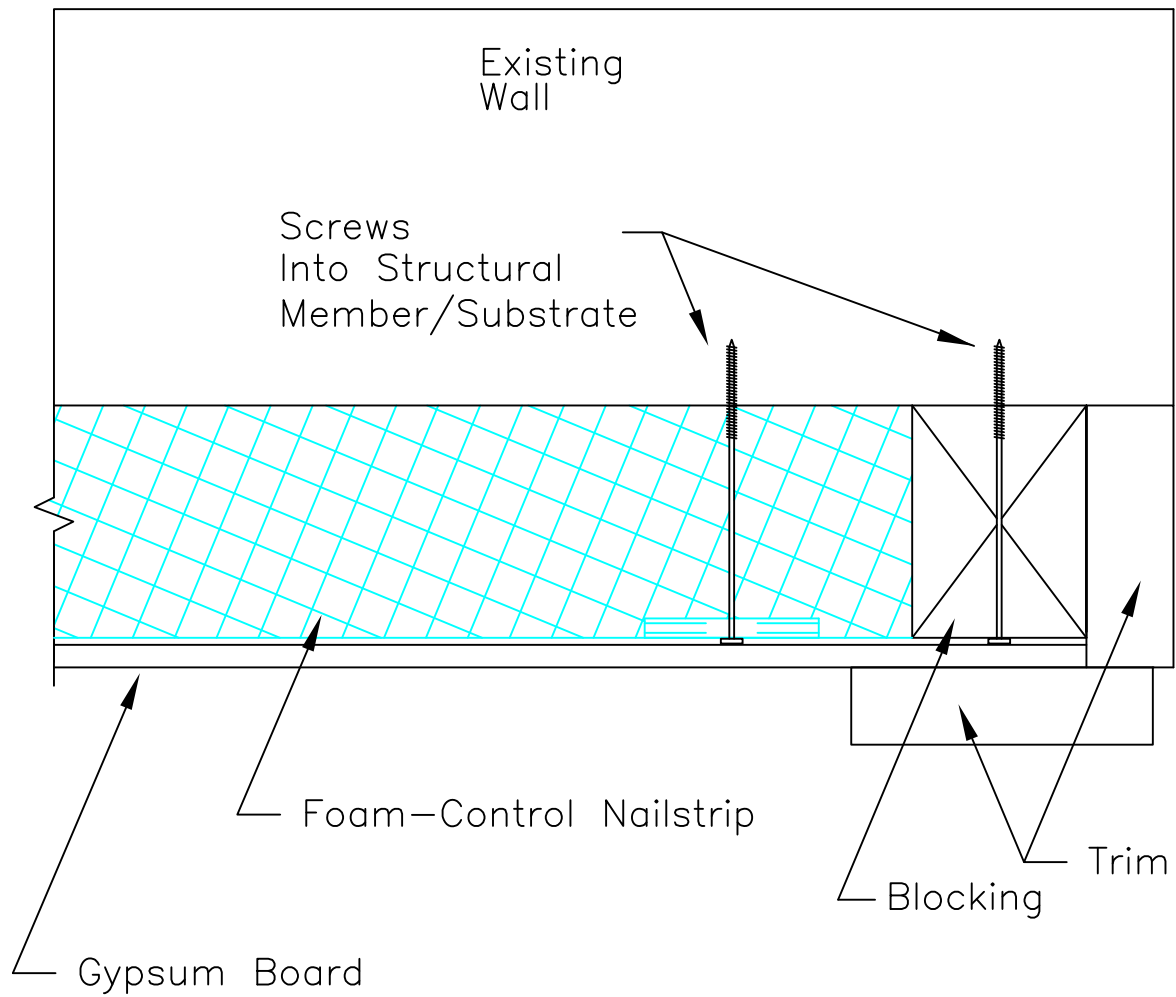
SCALE: NTS

Updated 1-21-11

Foam-Control® Nailstrip

TITLE:
INTERIOR OPENING SILL

NO.
FC-405



SECTION

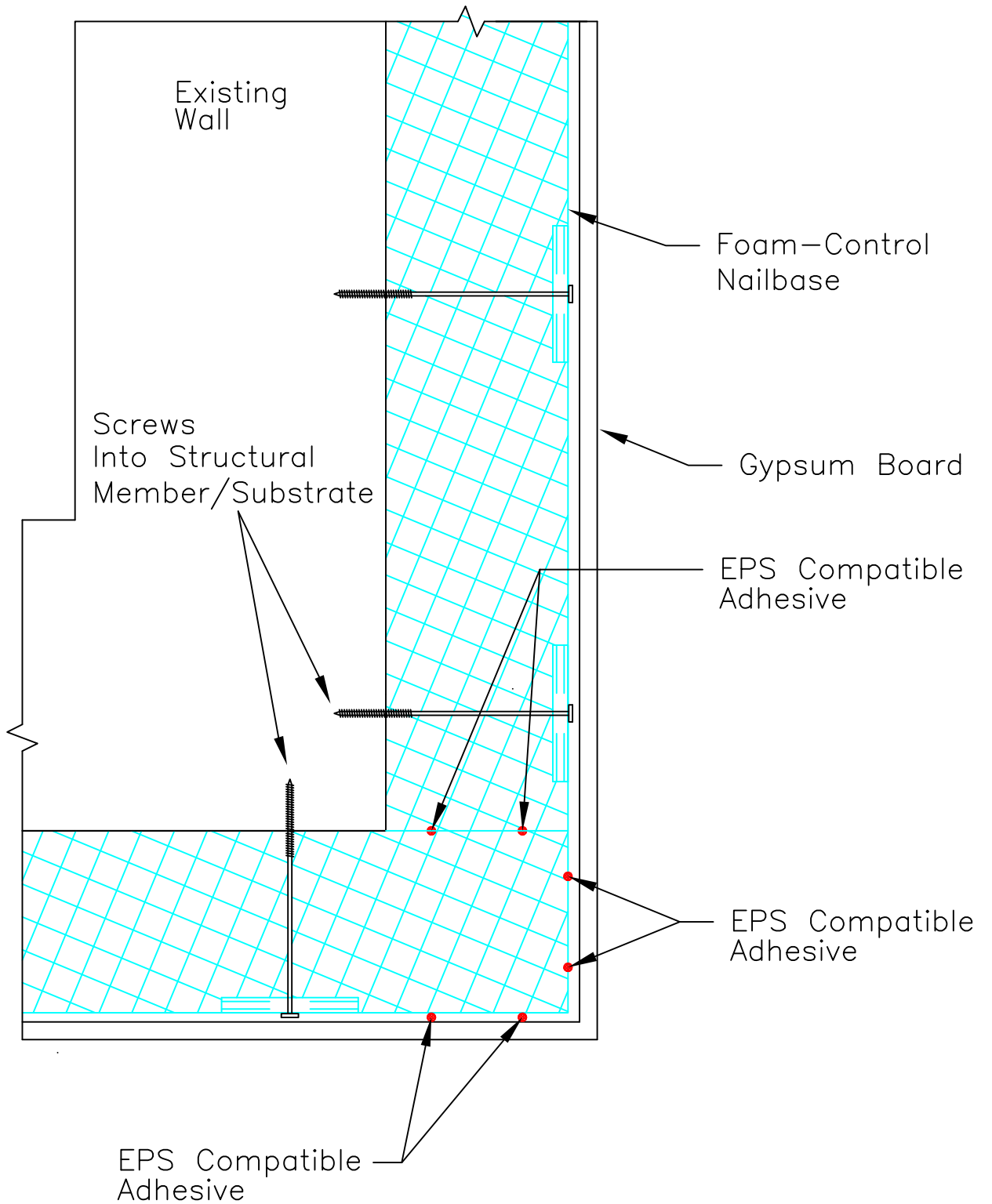
SCALE: NTS

Updated 1-21-11

Foam-Control® Nailstrip

TITLE:
INTERIOR OPENING JAMB

NO.
FC-406



SECTION

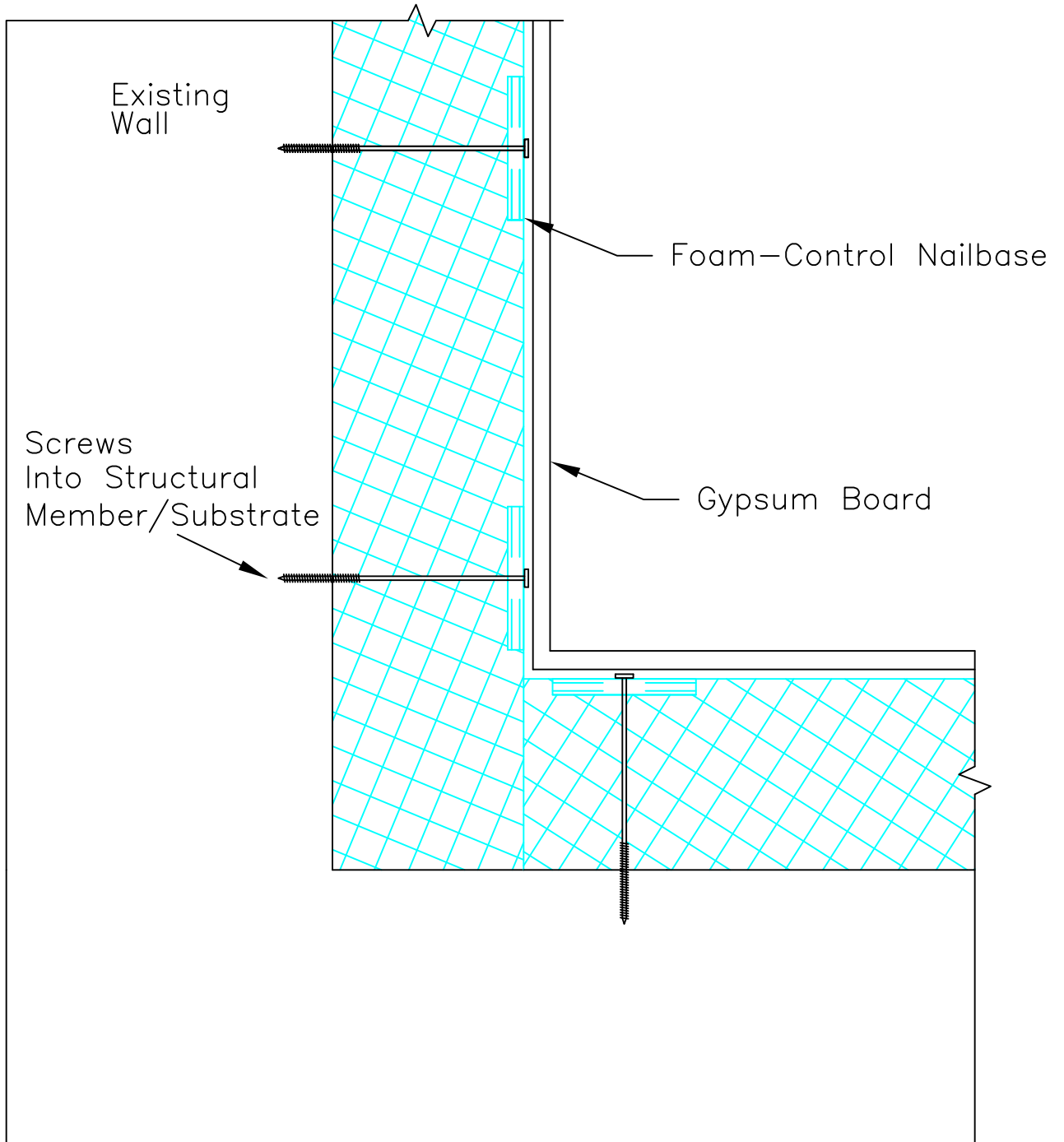
SCALE: NTS

Updated 1-21-11

Foam-Control® Nailstrip

TITLE:
INTERIOR OUTSIDE CORNER

NO.
FC-407



SECTION

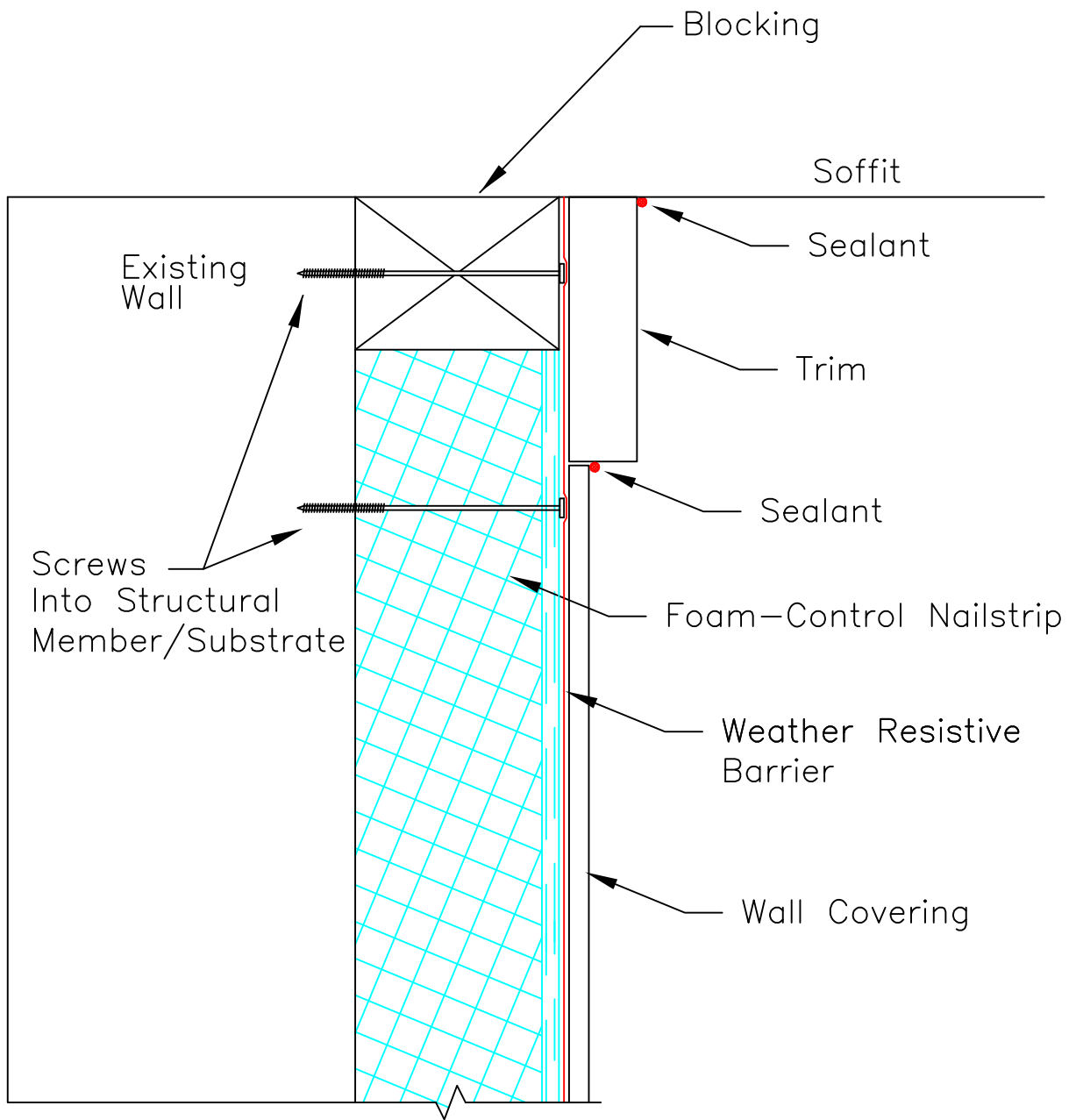
SCALE: NTS

Updated 1-21-11

Foam-Control® Nailstrip

TITLE:
INTERIOR INSIDE CORNER

NO.
FC-408



SECTION

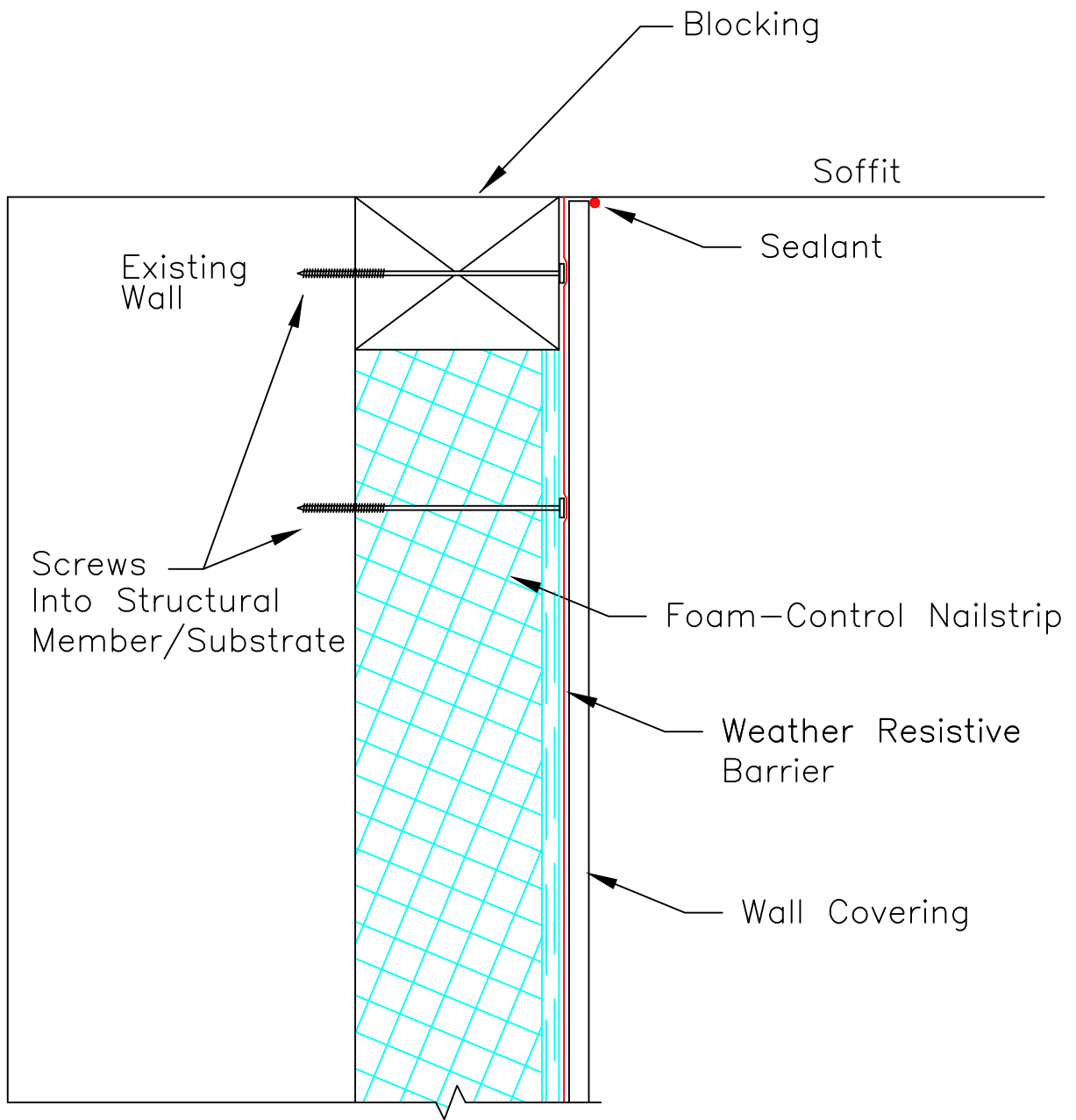
SCALE: NTS

Updated 1-21-11

Foam-Control® Nailstrip

TITLE:
EXTERIOR TOP OF WALL

NO.
FC-502



SECTION

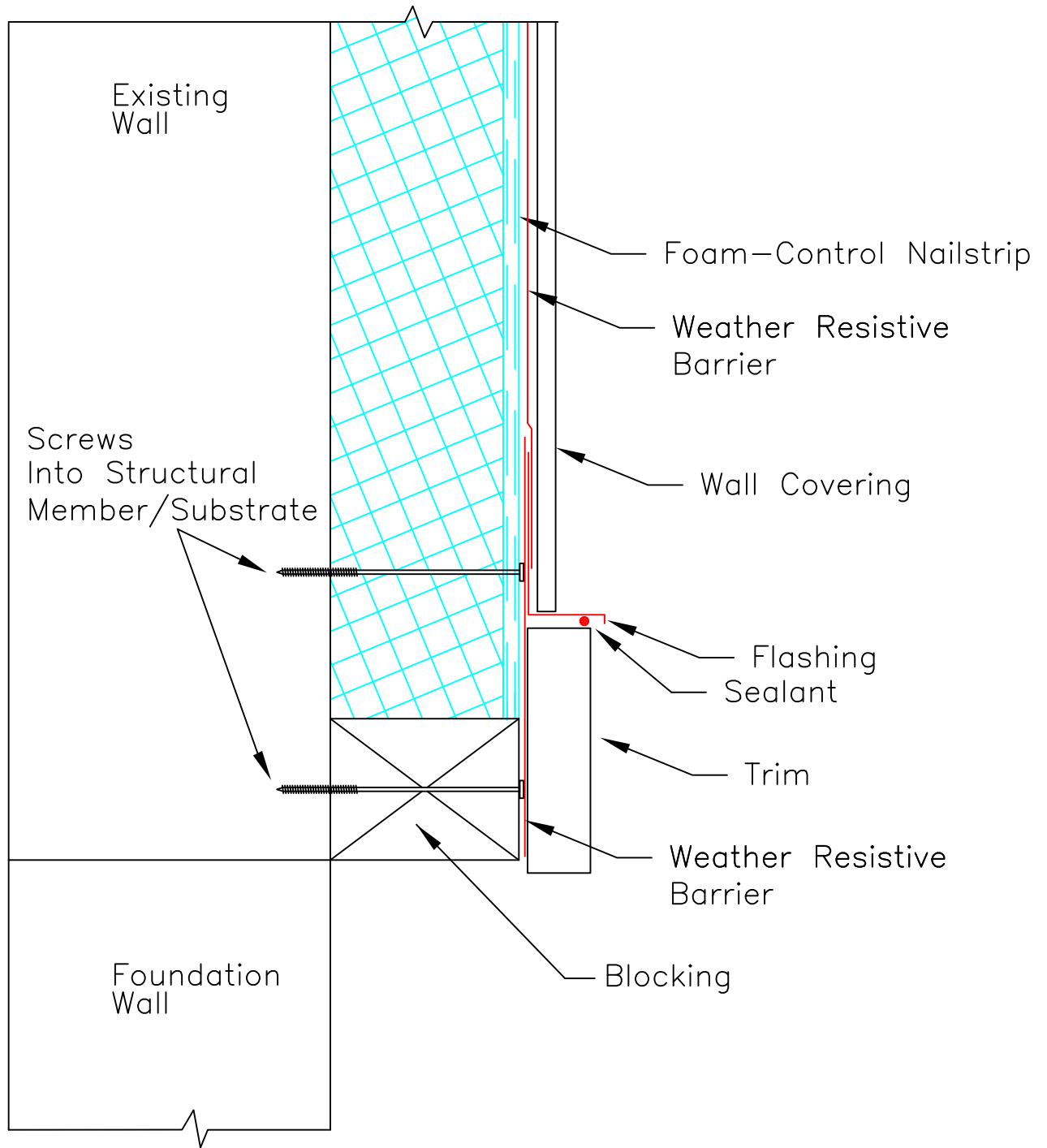
SCALE: NTS

Updated 1-21-11

Foam-Control® Nailstrip

TITLE:
EXTERIOR TOP OF WALL

NO.
FC-502a



SECTION

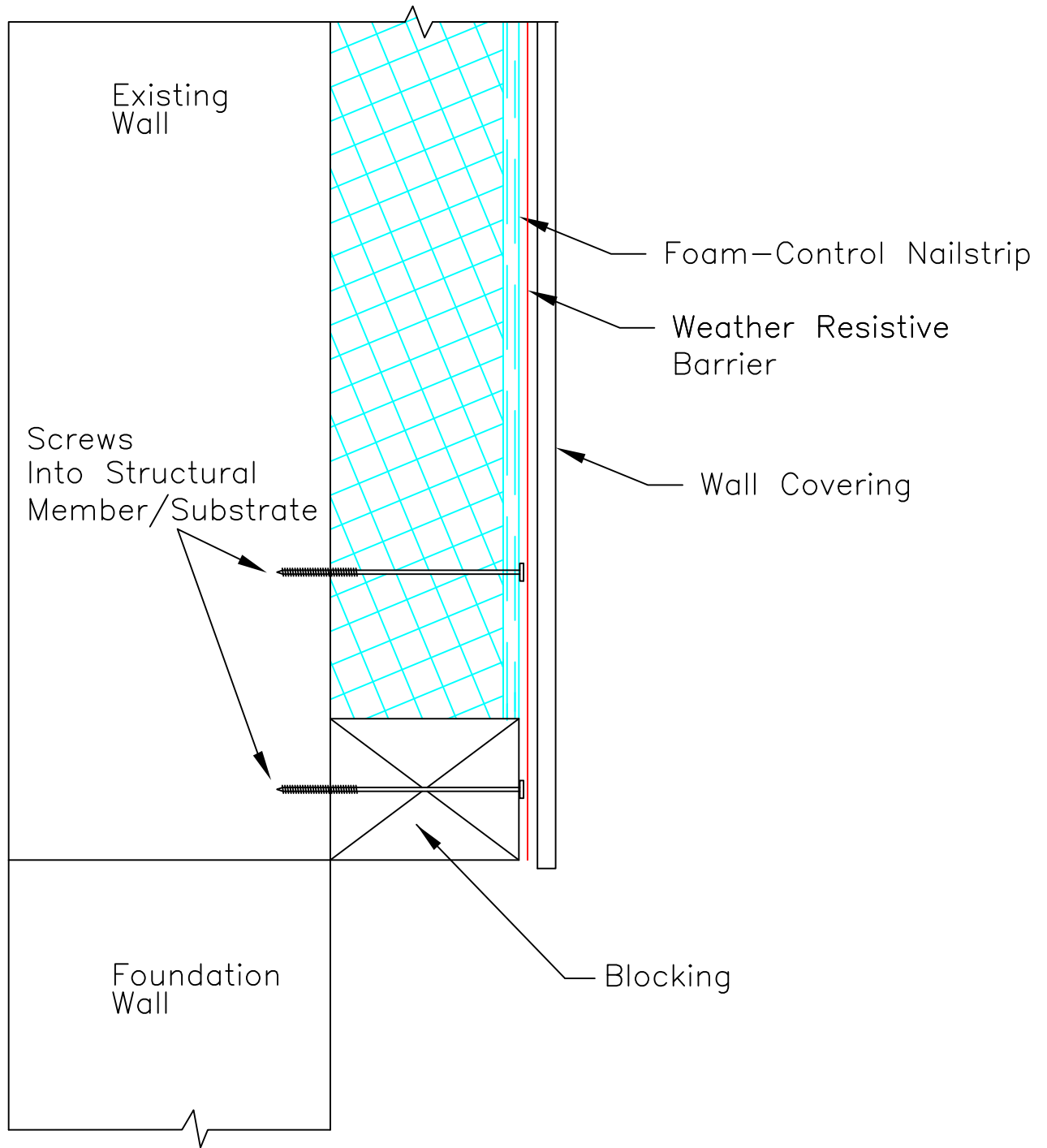
SCALE: NTS

Updated 1-21-11

Foam-Control® Nailstrip

TITLE:
EXTERIOR BOTTOM OF WALL

NO.
FC-503



SECTION

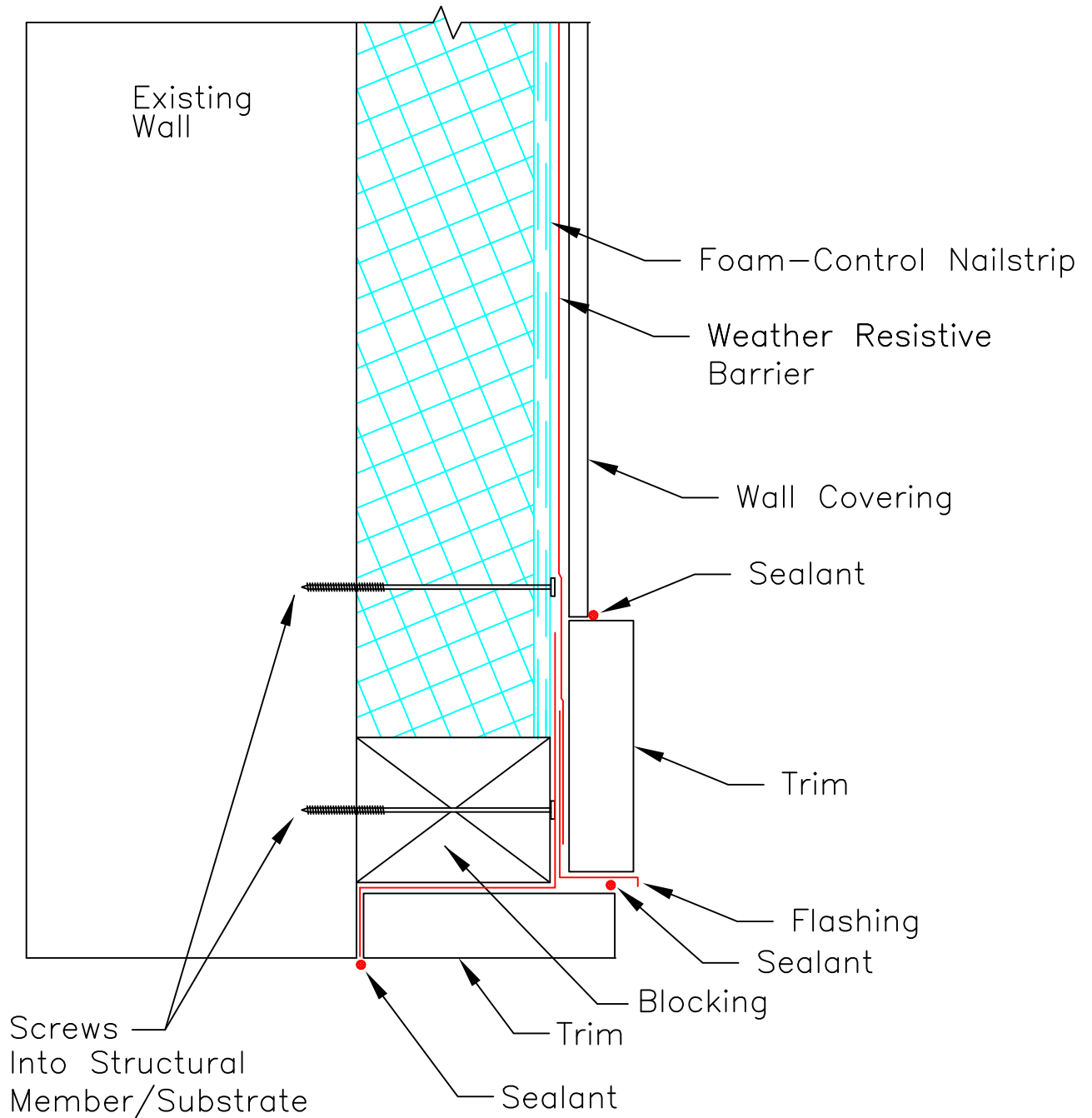
SCALE: NTS

Updated 1-21-11

Foam-Control® Nailstrip

TITLE:
EXTERIOR BOTTOM OF WALL

NO.
FC-503a



SECTION

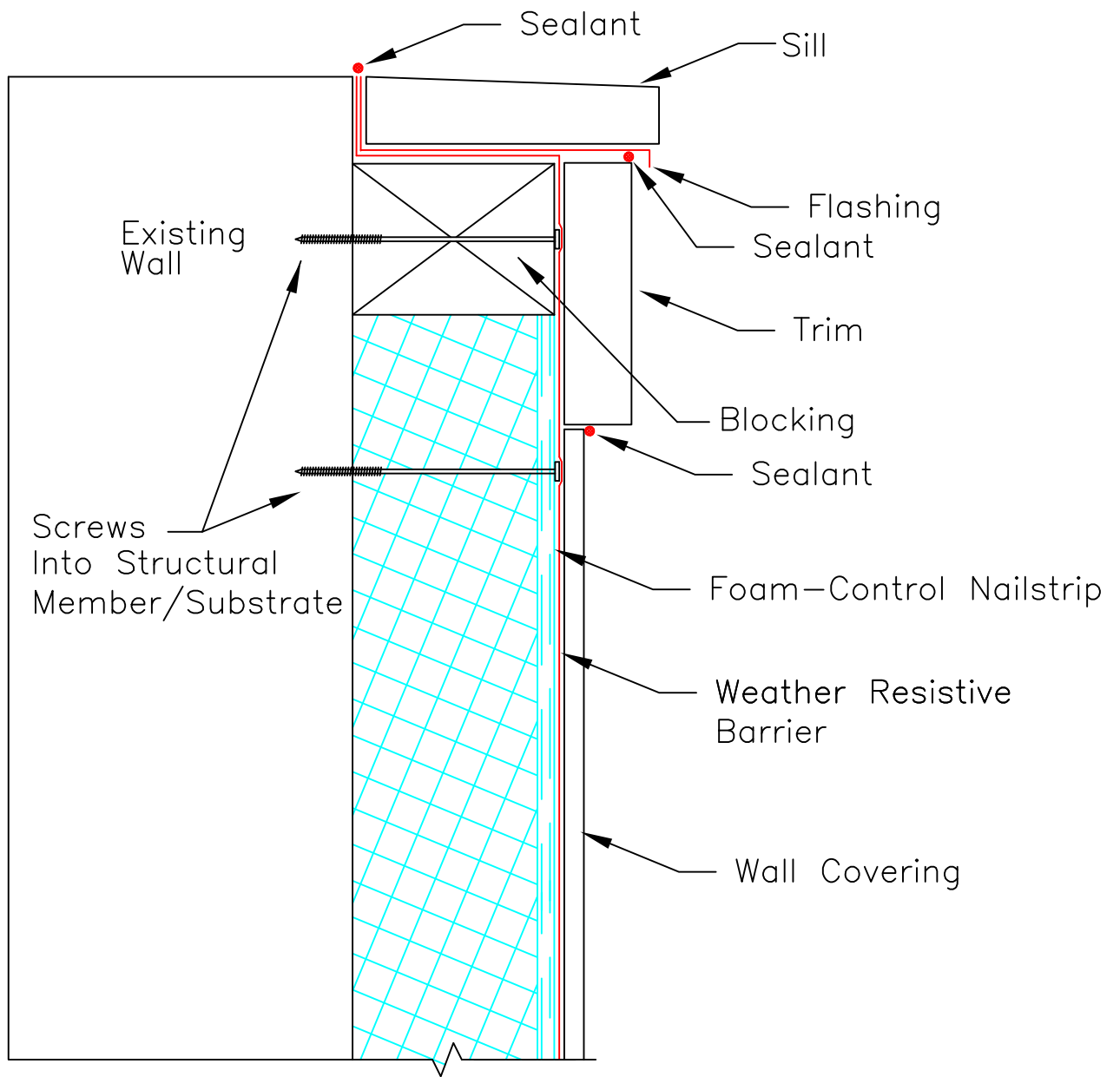
SCALE: NTS

Updated 1-21-11

Foam-Control® Nailstrip

TITLE:
EXTERIOR OPENING HEADER

NO.
FC-504



SECTION

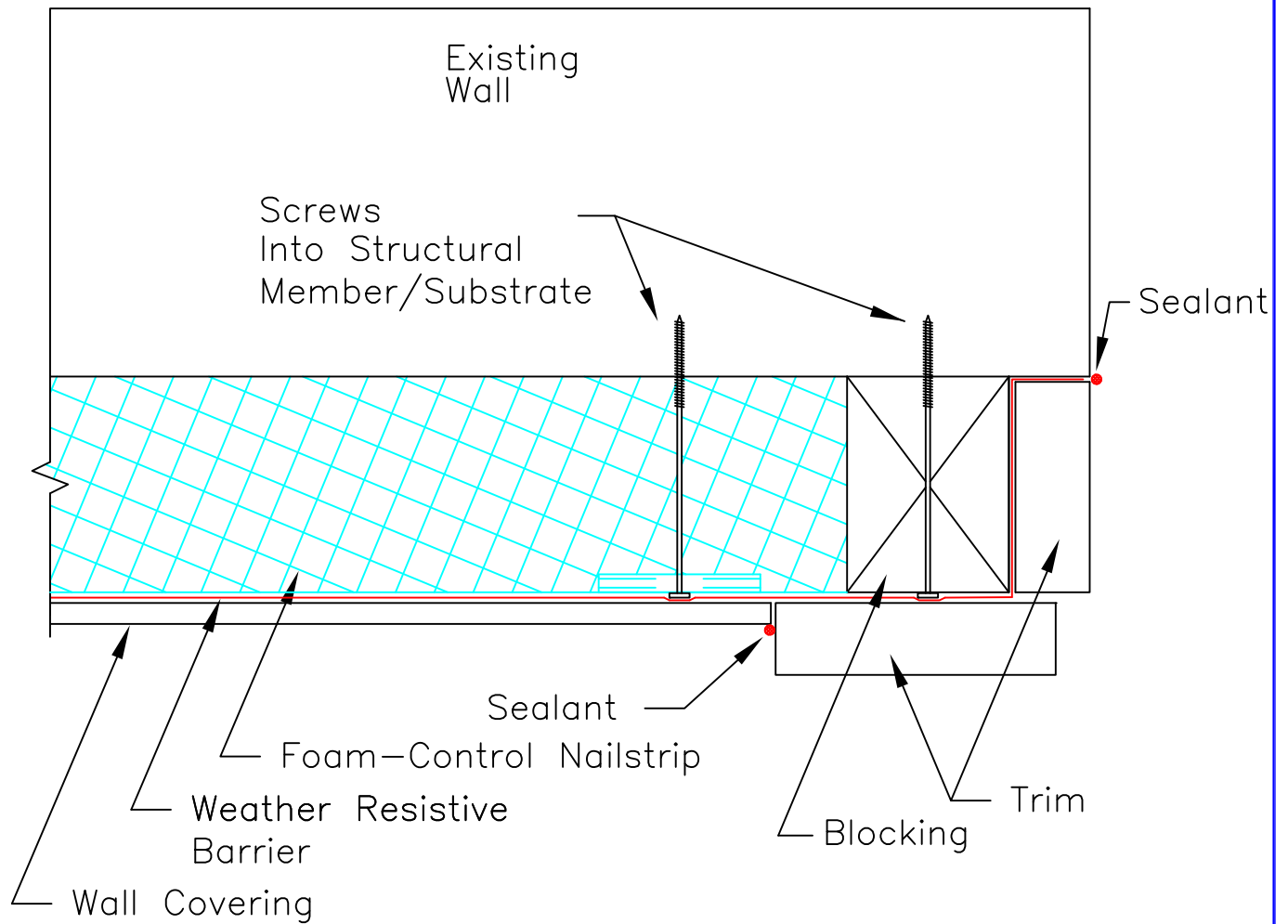
SCALE: NTS

Updated 1-21-11

Foam-Control® Nailstrip

TITLE:
EXTERIOR OPENING SILL

NO.
FC-505



SECTION

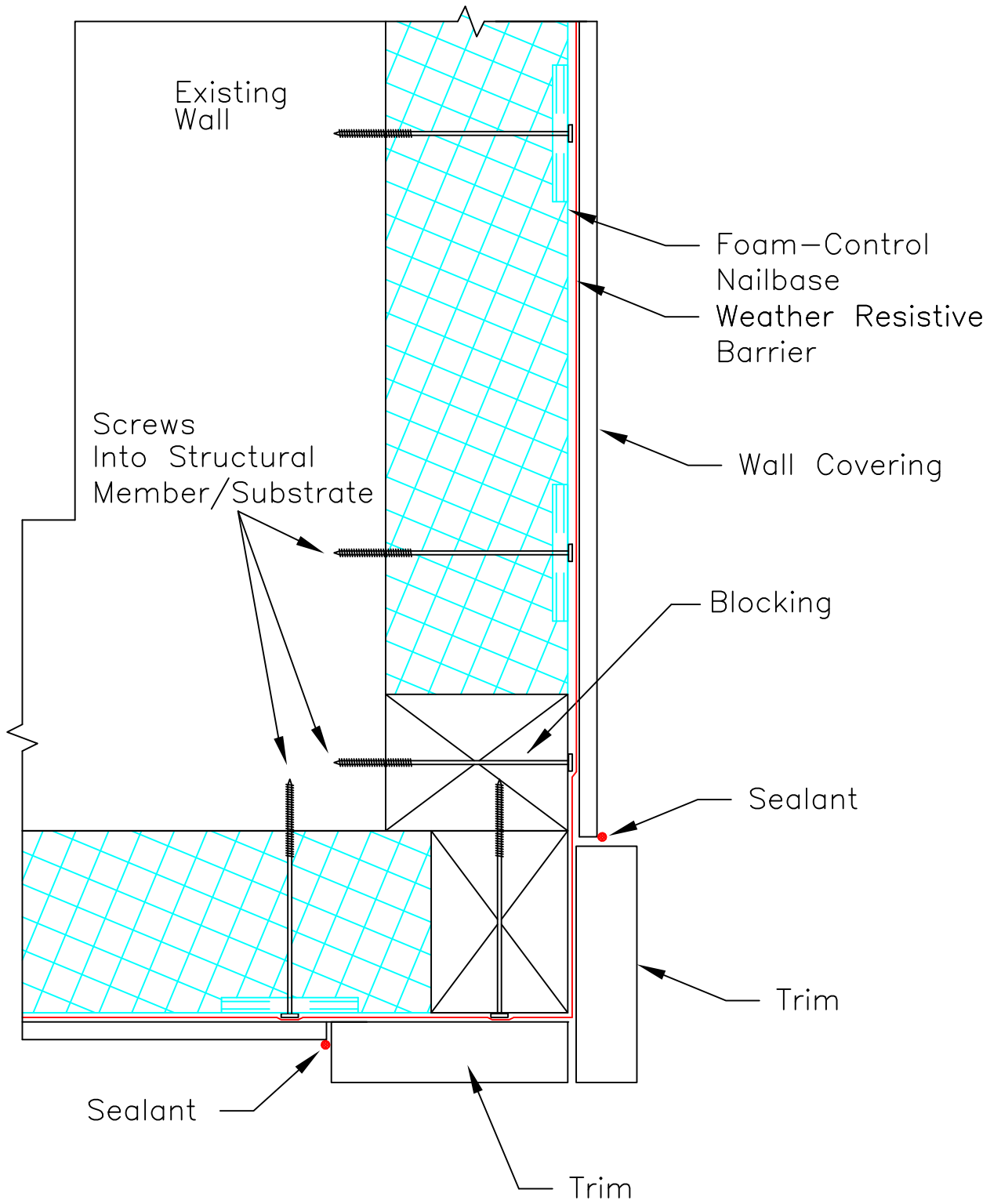
SCALE: NTS

Updated 1-21-11

Foam-Control® Nailstrip

TITLE:
EXTERIOR OPENING JAMB

NO.
FC-506



SECTION

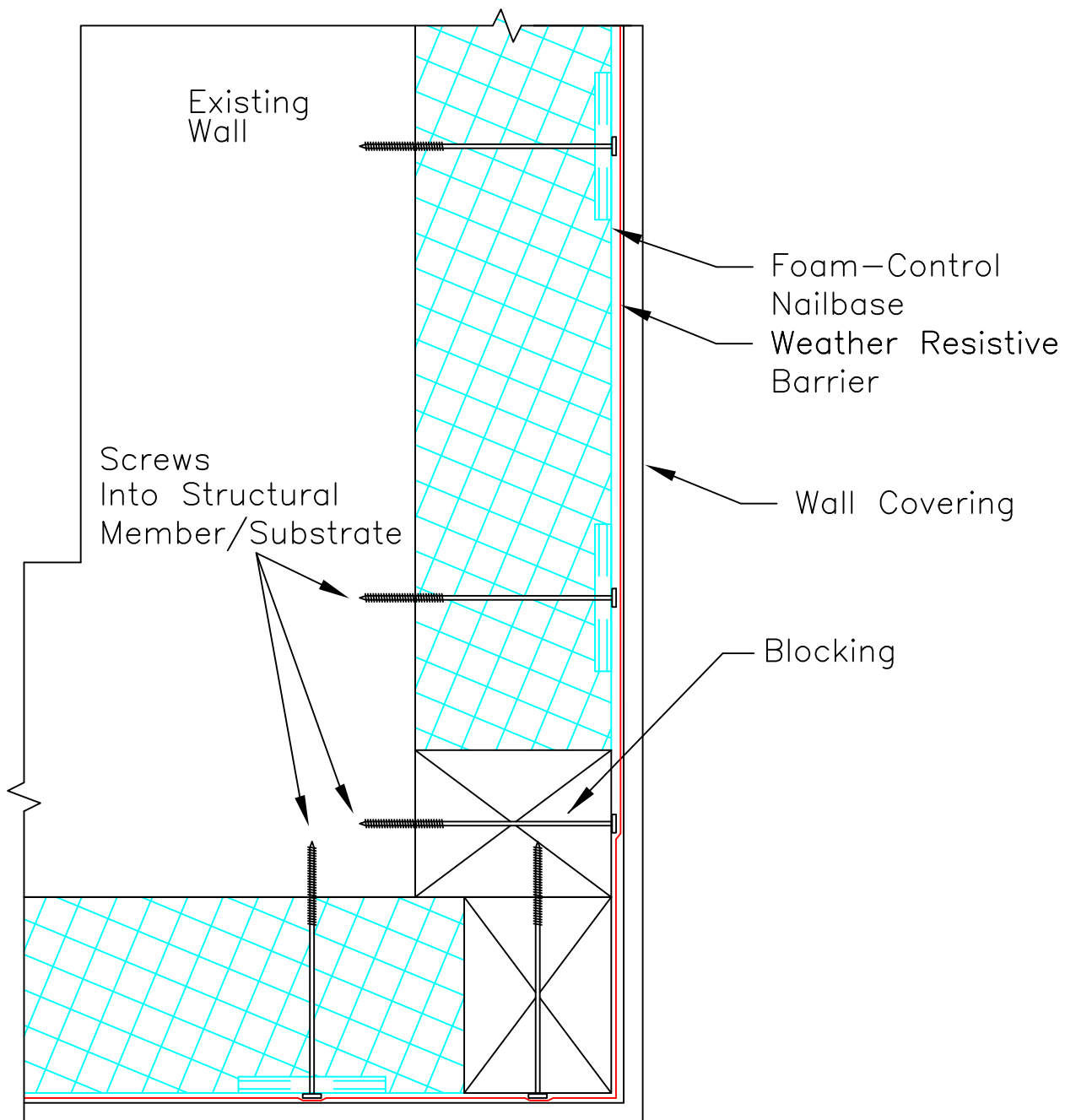
SCALE: NTS

Updated 1-21-11

Foam-Control® Nailstrip

TITLE:
EXTERIOR OUTSIDE CORNER

NO.
FC-507



SECTION

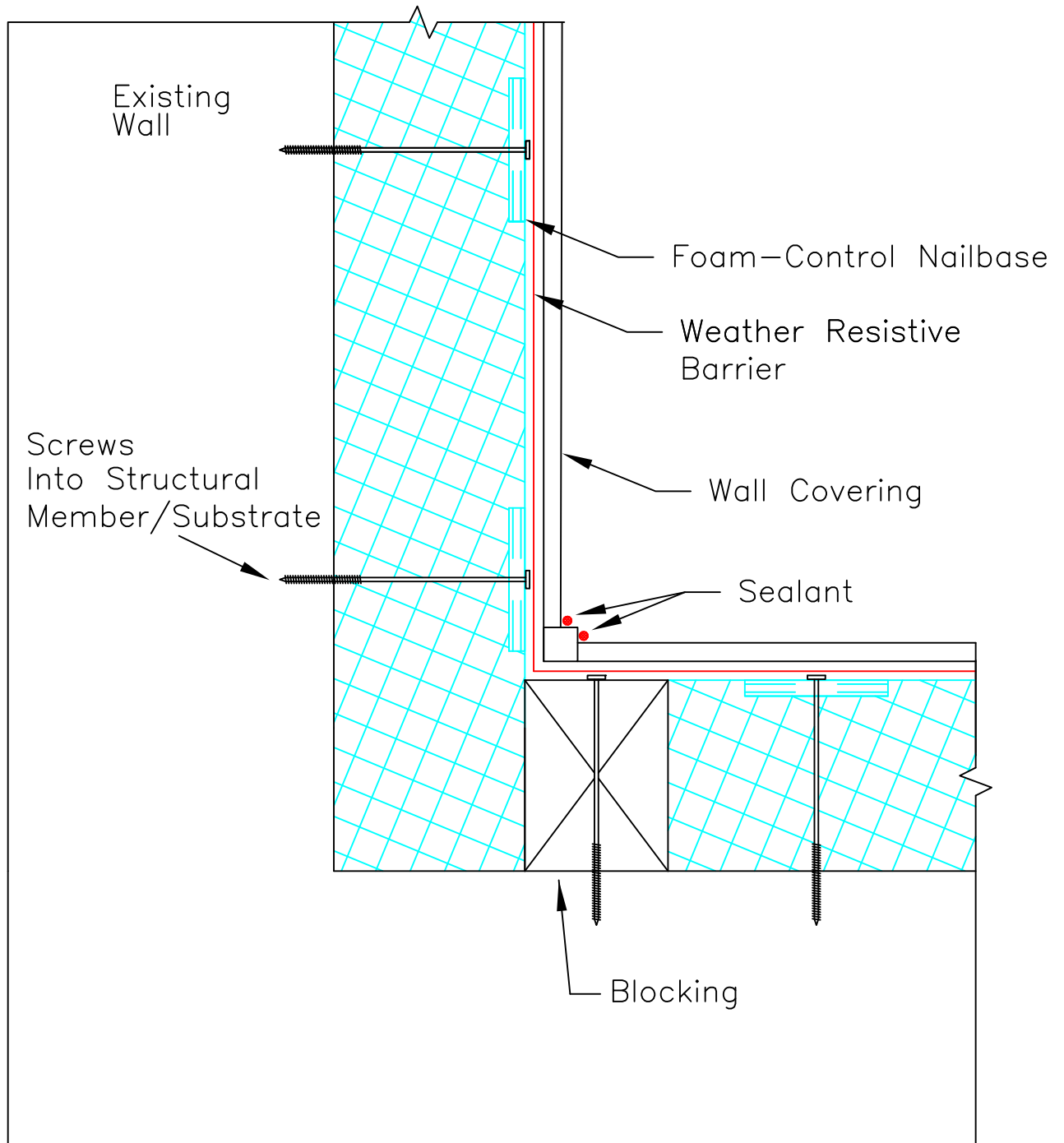
SCALE: NTS

Updated 1-21-11

Foam-Control® Nailstrip

TITLE:
EXTERIOR OUTSIDE CORNER

NO.
FC-507a



SECTION

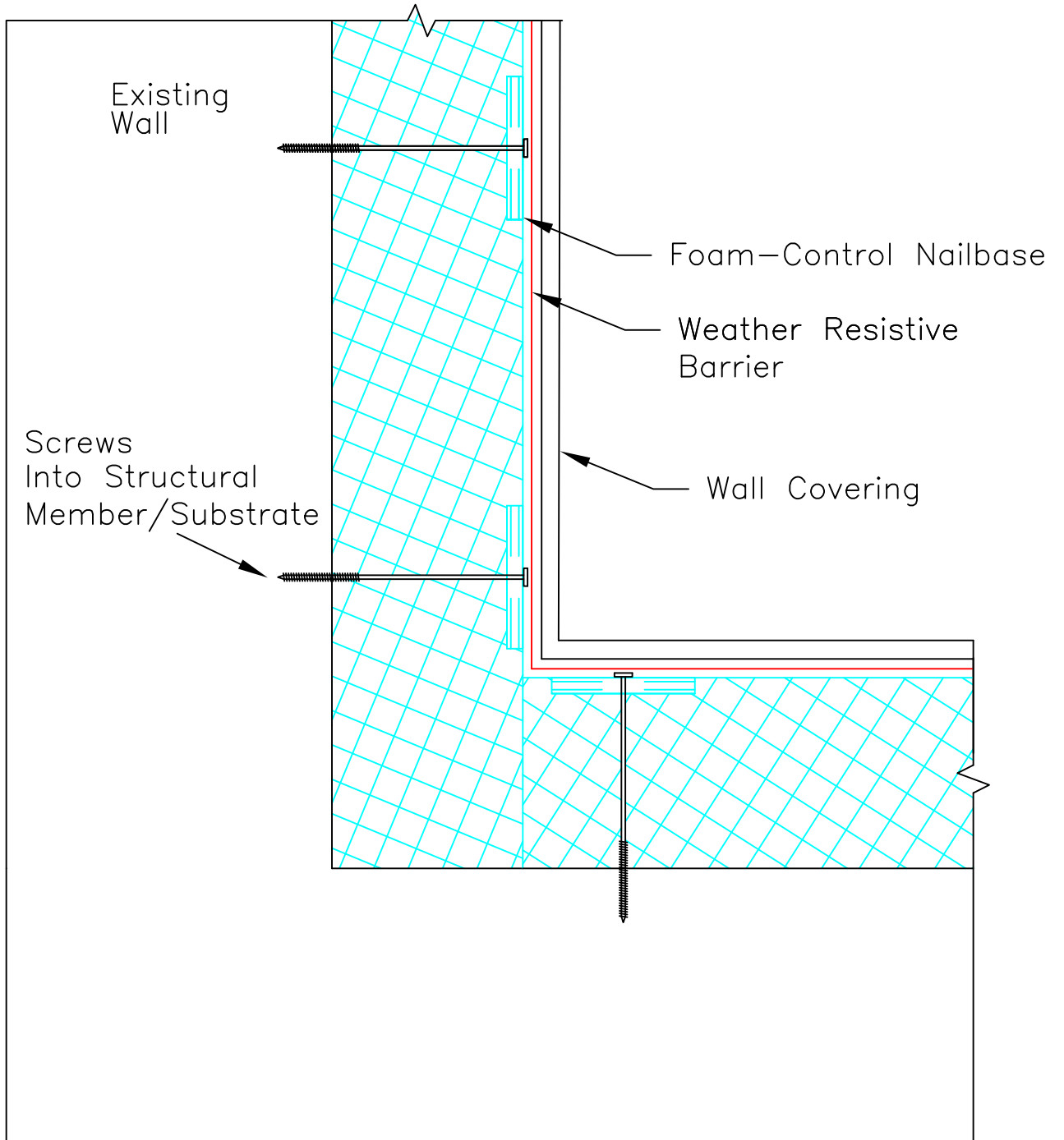
SCALE: NTS

Updated 1-21-11

Foam-Control® Nailstrip

TITLE:
EXTERIOR INSIDE CORNER

NO.
FC-508



SECTION

SCALE: NTS

Updated 1-21-11

Foam-Control® Nailstrip

TITLE:
EXTERIOR INSIDE CORNER

NO.
FC-508a



Nailstrip No. 8001

Subject: Foam-Control Nailstrip - Substrate Preparation and Installation

Date: April 2011

Foam-Control Nailstrip is an ideal insulation and nailable surface when applied over structural walls such as poured concrete, concrete block, brick, wood and steel framing.

Foam-Control Nailstrip must be applied to a solid sound structural substrate. Prior to installing Foam-Control Nailstrip, examine all areas of the substrate to make certain that adequate mechanical attachment can be achieved. Areas that are not adequately strong must be repaired or replaced. The substrate must be free of all contaminants that may cause damage to Foam-Control Nailstrip or inhibit attachment. The substrate surface additionally must be flat. Remove bumps, protrusions, and irregularities that may interfere with installation. Provide framing as needed around fixtures, pipes, services boxes, etc. as required.

The substrate should be plumb and square. If the substrate is out of square, provide square and plumb framing members at the boundary of the substrate prior to installation of Foam-Control Nailstrip.

If the substrate is not plumb determine the out of plane areas prior to installation and use the following general guidelines:

- Use Loctite® PL® 300 VOC Foamboard or similar polystyrene compatible adhesive to apply 3" diameter pillows of adhesive to the substrate on 12" centers vertically and horizontally.

Note: Apply the adhesive thicker over indented areas and thinner in protruding areas.

- Apply the Foam-Control Nailstrip to the substrate and press firmly against the adhesive.
- Use a 6' flat edge board or similar to tamp the entire face of the Foam-Control Nailstrip until it is plumb and square.

- Apply Foam-Control fasteners in sufficient number to temporarily hold the Foam-Control Nailstrip in place without movement.

- After the adhesive has sufficiently cured, install Foam-Control fasteners per the specified installation pattern.

Note: Structural substrates that are severely out of plumb may require longer screws at the "kicked in" areas.

Once installation of the Foam-Control Nailstrip is complete, attach appropriate cladding materials per the cladding manufacturers recommended installation guidelines.



Foam-Control EPS products are manufactured by AFM Corporation licensees.

Copyright ©2011 AFM Corporation. All rights reserved. Printed in USA. Foam-Control, Perform Guard, and Control, Not Compromise are trademarks of AFM Corporation, Lakeville, MN.





Nailstrip No. 8002

Subject: Foam-Control Nailstrip - Rainscreens

Date: September 2011

Rainscreens are a building science design strategy for exterior walls that incorporate a number of elements to reduce the potential for water damage. Rainscreens are most commonly used in regions that have significant rainfall. The key elements of a rainscreen are:

1. Exterior Cladding
2. Air Space
3. Drainage Layer
4. Airtight Wall

Rainscreen designs accept that water may penetrate the exterior cladding, but this water is subsequently removed by draining down the drainage layer and exiting out the bottom of the wall assembly. The drainage layer coupled with the air space provides an improved defense to resist potential damage from water to the wall and cladding materials.

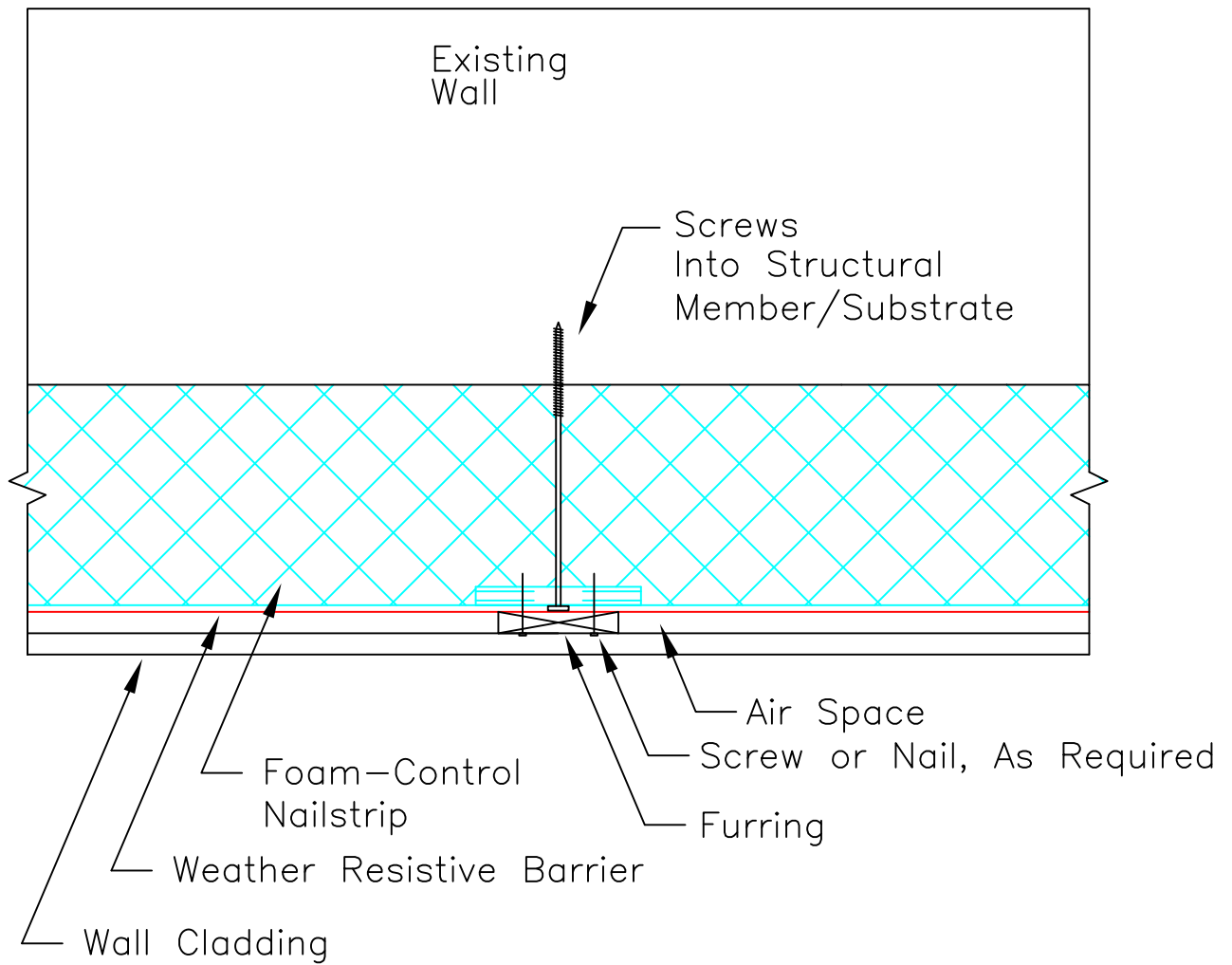
Foam-Control Nailstrip is ideal for use as part of a Rainscreen design when covered with a weather resistant barrier, furring, and an exterior cladding. Please refer to the attached detail.



Foam-Control EPS products are manufactured by AFM Corporation licensees.

Copyright © 2011 AFM Corporation.
All rights reserved. Printed in USA.
Foam-Control, Perform Guard, and Control, Not Compromise are trademarks of AFM Corporation, Lakeville, MN.





SECTION

SCALE: NTS

Updated 8-22-11

Foam-Control® Nailstrip

TITLE:
Rainscreen

NO.
FC-600

CONTROL, NOT COMPROMISE.®

CONTROL YOUR:

- MATERIALS
- R-VALUES
- PROCESS
- COSTS
- TIMELINE
- LIABILITY

DON'T COMPROMISE YOUR:

- DESIGN
- ENERGY EFFICIENCY
- STRUCTURAL INTEGRITY
- PROFITABILITY
- QUALITY
- REPUTATION



Foam-Control EPS products are manufactured by AFM Corporation licensees.

Copyright © 2011 AFM Corporation. All rights reserved. Printed in USA.

Control, Not Compromise and Foam-Control EPS are registered trademarks of AFM Corporation, Lakeville, MN.

FCN-03-09/11-E